

## **UV Series**

# **Multifunctional Thermal Imaging Module**

Specification Sheet V1.0



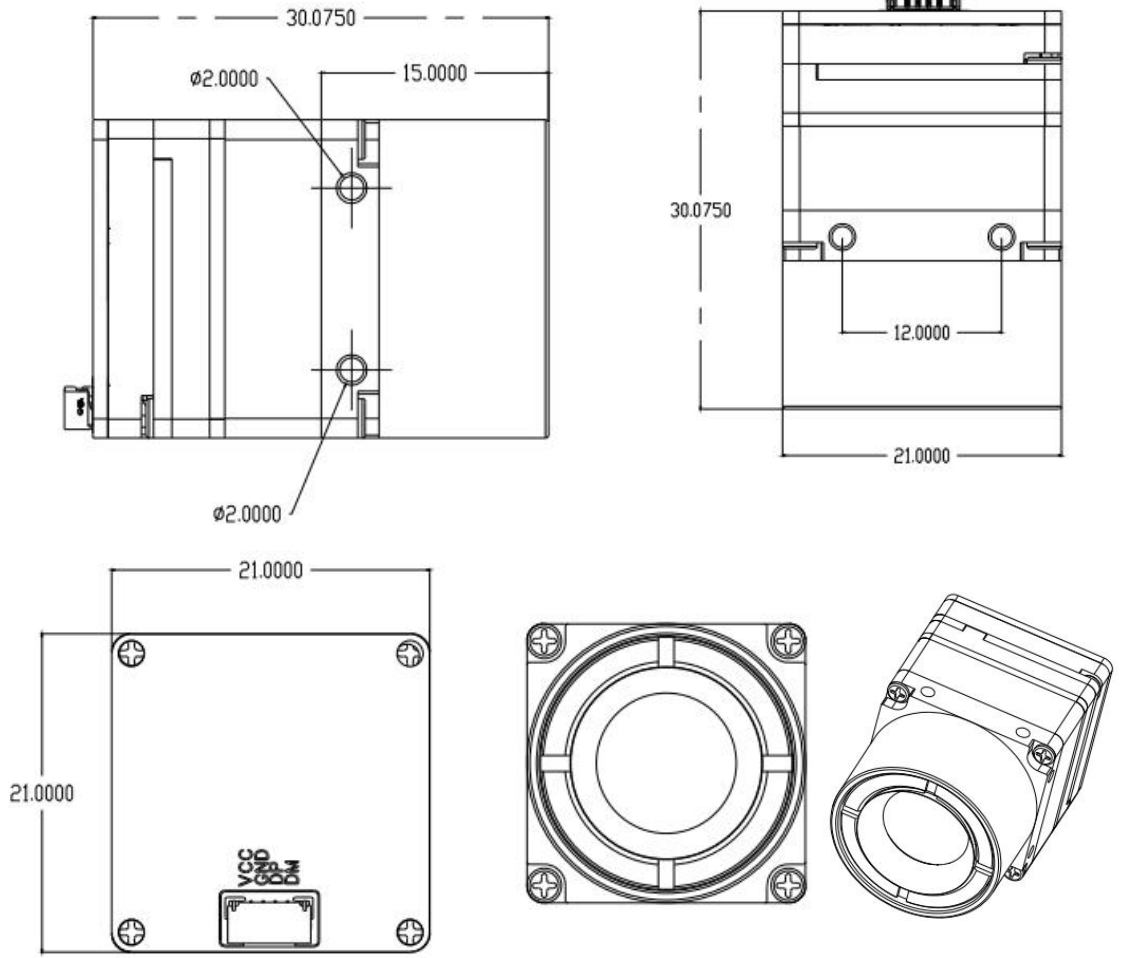
**Product Model: UV640-TIF**

# Technical Specifications

Model		UV640-TIF-9
Lens Specifications	Lens Focal Length (mm)	9 mm
	Field of view (°)	46.2 × 37.7°
	Detection range	900 m
	Detection range	225 m
	Resolution range	113 m
Detector parameters	Sensor type	(Uncooled focal plane array) Vanadium oxide
	Spectral response	8–14 μm
	Array Size	640 × 512 (effective array)
	NETD	≤40 mK @ 25° C, F#1.0, 25 Hz
	Detector frame rate	60 Hz
Interface parameters	Digital image interface	USB, UVC
	Control interface	USB
	Interface Specifications	SMD, P=0.8mm-4P
Functional parameters	Pseudo-colour modes	White-hot (default mode), black-hot, red-hot, iron-red, and various other false-colour modes
	Image Enhancement Modes	Adjustable
	Brightness	Adjustable
	Contrast	Adjustable
	Electronic zoom	1x–8x zoom
	Step mode	Step mode, automatic stepping
	Pan-tilt calibration	Supports USB host computer
	Non-uniformity correction (NUC)	Supports USB host computer
Physical characteristics	Power supply input	USB (5V)
	Operating temperature	-20°C to +60°C
	Power consumption	≤0.8W
	Shock	80g @ 4ms
	Weight	24 g
	Dimensions	21mm × 21mm × 30mm
	Customisation	Supports Windows and Linux platforms; provides an SDK for secondary development

# Dimensions/Interface Specifications

Differentiation by size, specifications and version /Dimensions have been adjusted



Interface definition



4-pin/0.8 terminal

1: VCC

2: GND

3: DP

4: DM